

RELIABILITY IN ACTION



LINGONG HEAVY MACHINERY CO., LTD.

Address: No. 2676, Kejia Road, Jinan, Shandong, China
Email: sales@gmg.com.cn
Tel: +86-0531-67879283
Web: www.lgmglifts.com

LGMG Europe B.V.
Address: Donker Duyvisweg 301, 3316 BL Dordrecht, The Netherlands

LGMG North America, Inc.
Address: 1445 Sheffler Dr, Chambersburg, PA. 17201, USA

FOLLOW US:     

www.lgmglifts.com

Please contact LGMG or local dealer for more details.
LGMG reserves the right to change technical data without prior notice.
All photos and pictures in this brochure are for promotional purpose only.
This brochure comes into effect in March, 2023.

LGMG

MOBILE ELEVATING WORK PLATFORMS



INHALT

P01	Contents
P02-04	Group Profile
P05-08	Electric Telescopic Boom Lift
P09-12	Diesel Telescopic Boom Lift
P13-14	Electric Articulating Boom Lift
P15-16	Diesel Articulating Boom Lift
P17-18	Electric RT Scissor Lift

P19-22	Diesel RT Scissor Lift
P23-28	Electric Motor Drive Scissor Lift
P29-32	Hydraulic Motor Drive Scissor Lift
P33-34	Vertical Mast Lift
P35-36	Crawler Scissor Lift
P37-38	Service & Application

GROUP PROFILE

Founded in 1972, Lingong Machinery Group is one of the key players in construction machinery, one of the top 100 enterprises in the machinery industry and one of the top four groups in the construction machinery industry in China.

The Group consists of three core companies, including: Shandong Lingong Construction Machinery Co., Ltd. (SDLG), Lingong Heavy Machinery Co., Ltd. (LGMG) and Lingong Special Machinery Co., Ltd. The Group's business covers five sectors: construction machinery, mining machinery, MEWPs, special machinery and component manufacturing.

LGMG, located in Jinan, Shandong Province, China, is a privately-owned subsidiary of Lingong Group. Business segments include MEWPs, mining equipment. Today, LGMG has become an important player in the Chinese construction machinery industry, holding a place as one of the top 100 global construction machinery manufacturers, the top 30 Chinese construction machinery manufacturers and the top 5 Chinese MEWPs manufacturers.

LGMG offers a wide range of access equipment, electric and rough terrain scissor lifts, articulating and telescopic boom lifts. In 2022, telehandlers have been added to LGMG's product line.

In 2018, LGMG Europe was established in the Netherlands to serve as a distribution and service hub for the EMEA market.

In 2019, LGMG North America opened a headquarters in Pennsylvania together with other three warehouses across the country.

In 2020, LGMG Japan was established, integrating marketing and technology research and development functions into one.

In the future, LGMG will also establish multiple branches in Australia and other places. Now LGMG is on the road of internationalization, moving forward steadily, building LGMG into an international brand.



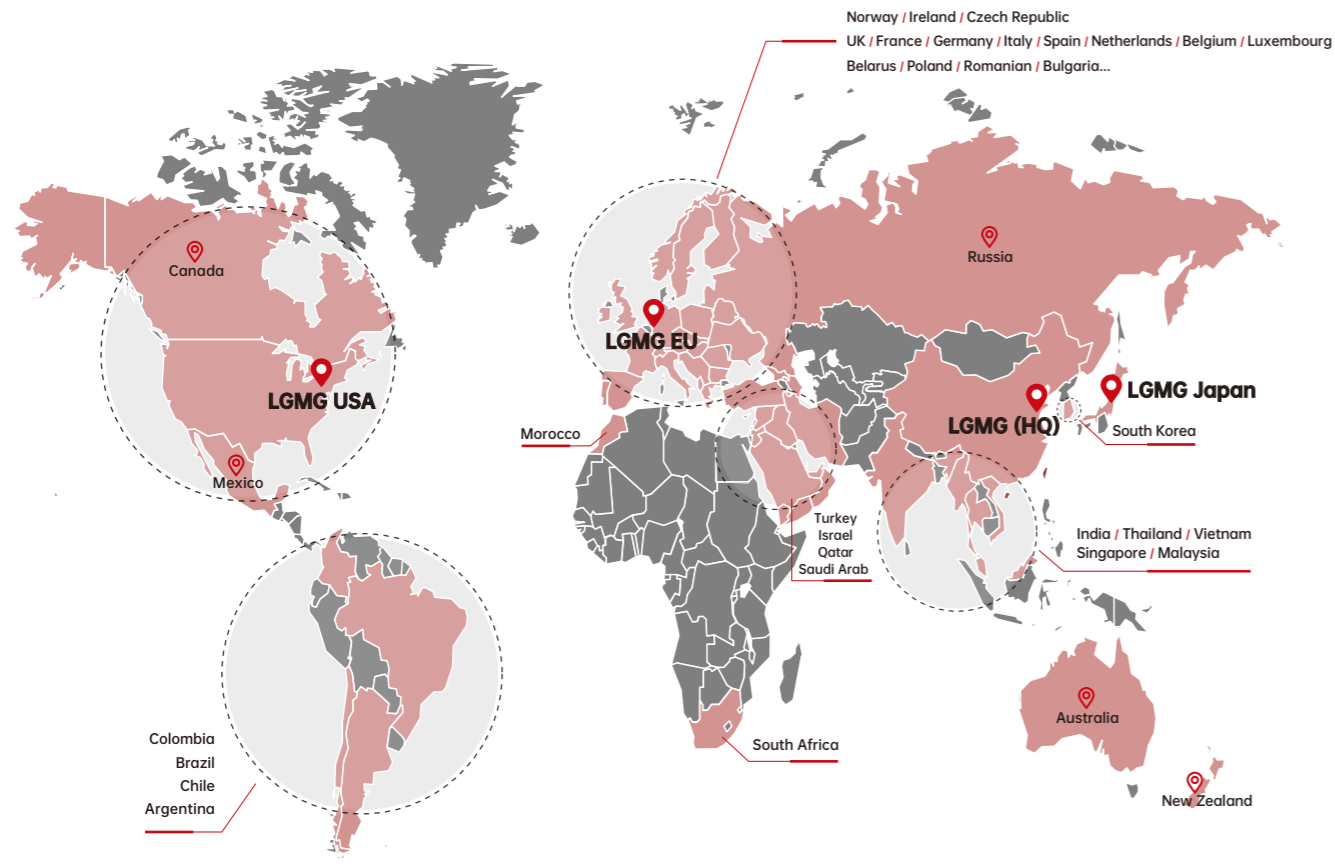
R&D TEAM

LGMG sees that R&D and innovation are key for sustainable growth, and has therefore established the Provincial Level Innovation, for new product development and component reliability tests. In addition, LGMG has collaborated with a top Chinese university to establish the LGMG Research Institute, aiming to crack industry challenges and develop cutting edge technology, as well as have a profound effect on the cultivation on future talent for our industry.

MANUFACTURING

With the manufacturing base covering an area of 350,000 square meters, LGMG strictly abides by its Lean Production System (LPS 6 PRINCIPLES) for each procedure, from parts welding and painting, to machine assembling and final product inspection, to ensure the highest production efficiency and the best quality.

GLOBAL SALES NETWORK



📍 LGMG Europe B.V.



📍 LGMG North America, Inc.








📍 LGMG Japan Co., Ltd.



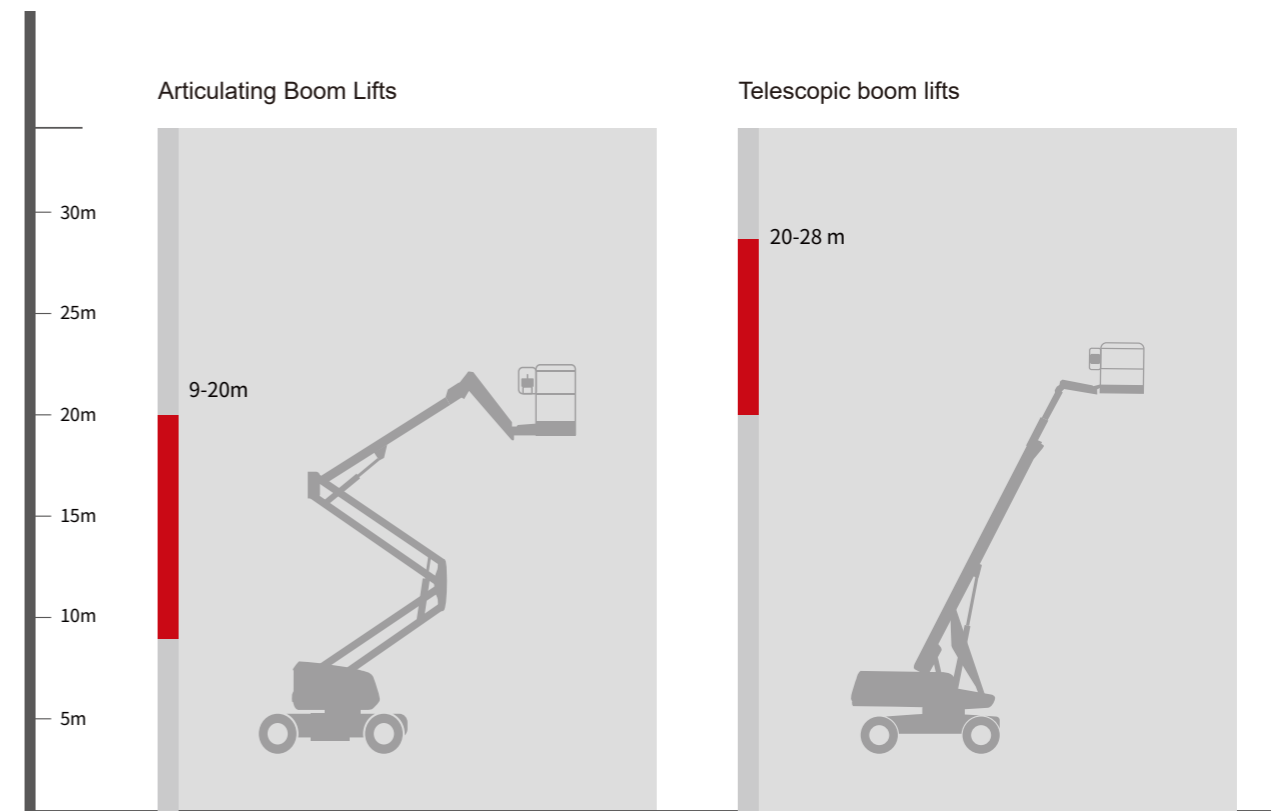
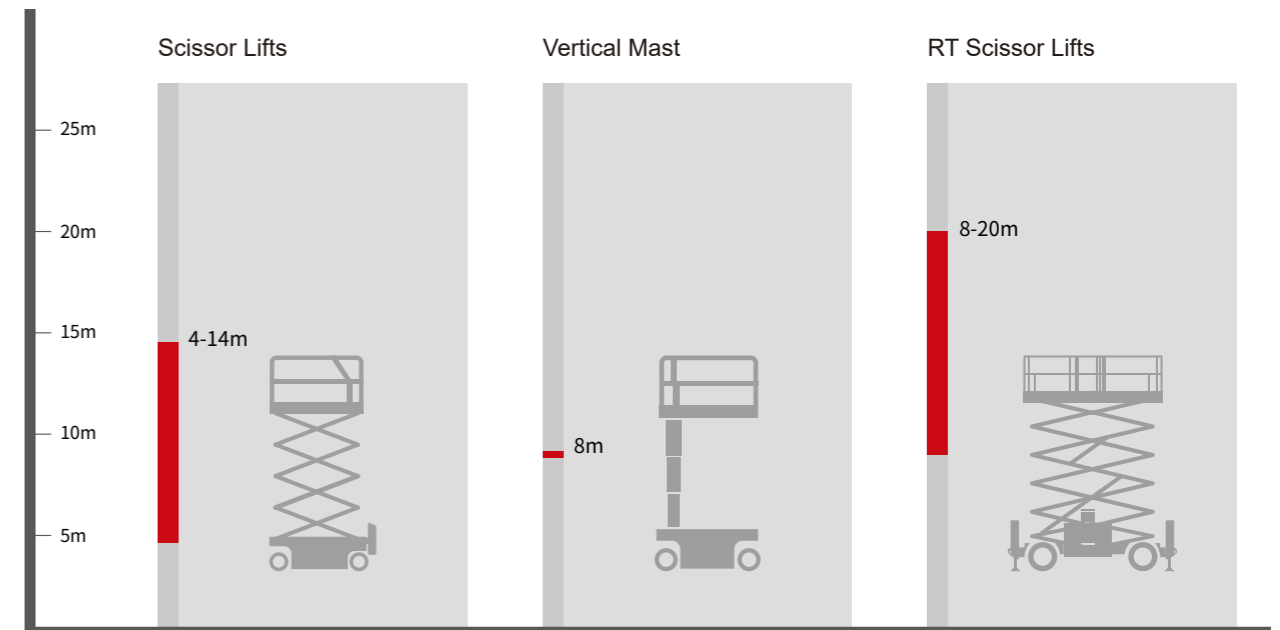
200+ PARTNERS

50+ COUNTRIES

-  **LOCAL TEAM SUPPORT**
-  **LOCAL MACHINE DELIVERY**
-  **LOCAL SPARE PARTS**
-  **LOCAL FAST AND HIGH QUALITY SERVICE**
-  **LOCAL TRAINING**

The establishment of LGMG European, North American and Japan companies has ensured quick and effective response time which fully meets our customers' requirements on machine inventory, parts and support with local professional teams. LGMG products have passed the major international standards such as CE, ANSI, Australia AS, CSA, KC, JIS, EAC. Products have been sold to over 200 partners in more than 50 countries around the world, including the U.S., Canada, the U.K., Germany, the Netherlands, Italy, Spain, Korea and Japan.

PRODUCT RANGE





LGMG's new electric telescopic boom aerial work platform is equipped with a lithium battery, which has the advantages of low noise and zero emissions. The maximum working height of the platform ranges from 21.8 to 29.8 meters (71'6" / 97'9"). Platform accommodates up to 3 people and 450/300 kg (992/661 lbs) dual capacity design for increased work efficiency. Excellent performance in driving performance, stability and operating precision, suitable for various harsh working environments.

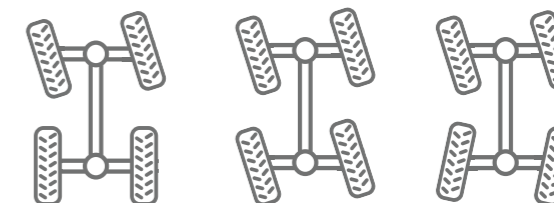
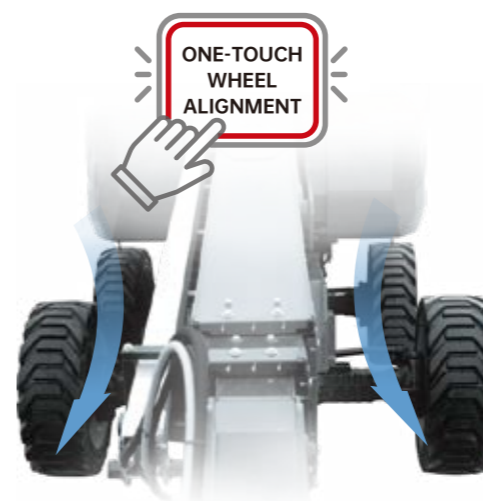
FEATURES

Green technology, eco-friendly

- Completely electric drive, noiseless, zero-emission, energy-saving, and eco-friendly.
- Ultra-high capacity lithium battery, 100% maintenance-free, smart battery management system, super-long battery life.
- Various charging modes are available as standard, and a charging pile port is available as optional.

Excellent RT performance

- Integrated four-wheel-drive system with axles offering strong power and smooth transmission, and 45% gradeability.
- Oscillating, full-time floating axle, maximum 5 degree tilt angle chassis. It allows the wheels to grip the ground when driving on hard, uneven terrain.



- Equipped with three steering modes: four-wheel steering, crab steering, and front-wheel steering, the boom lifts are also capable of one-touch wheel alignment.

More comfortable operation

- Proportional lift and drive controls deliver smoother manoeuvring, precise positioning and comfortable operation.



Higher maintenance efficiency

- More than 95% of the main components are interchangeable and so are more than 80% of structural parts, which helps to reduce spare parts storage costs and improve maintenance efficiency.
- Intelligent self-diagnostic system for quick troubleshooting and reduced downtime.

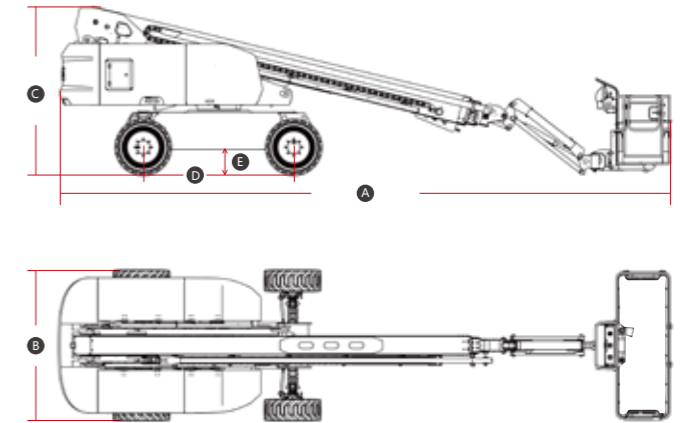
SPECIFICATIONS

MODELS	T20JE (T65JE)		T22JE (T72JE)		T26JE (T85JE)		T28JE (T92JE)	
Measurements	Metric	Imperial	Metric	Imperial	Metric	Imperial	Metric	Imperial
Work Height Max.	21.8m	71'6"	23.8m	78'1"	27.9m	91'6"	29.8m	97'9"
Platform Height	19.8m	65'	21.8m	71'6"	25.9m	85'	27.8m	91'2"
Horizontal Outreach Max.	16.6m	54'6"	16.6m	54'6"	21.6m	70'10"	21.6m	70'10"
Platform Length	2.44m	8'	2.44m	8'	2.44m	8'	2.44m	8'
Platform Width	0.9m	2'11"	0.9m	2'11"	0.9m	2'11"	0.9m	2'11"
A Length-Stowed	10.2m	33'6"	11m	36'1"	12.8m	42'	13.4m	44'
Length-Transport (jib tucked)	8.3m	27'3"	9.03m	29'8"	11m	36'1"	11.47m	37'8"
B Overall Width	2.5m	8'2"	2.5m	8'2"	2.5m	8'2"	2.5m	8'2"
C Height-Stowed	2.77m	9'1"	2.77m	9'1"	2.82m	9'3"	2.82m	9'3"
Height-Transport	2.89m	9'6"	2.88m	9'5"	3.03m	9'11"	3.02m	9'11"
D Wheelbase	2.51m	8'3"	2.51m	8'3"	2.85m	9'4"	2.85m	9'4"
E Ground Clearance	0.4m	1'4"	0.4m	1'4"	0.4m	1'4"	0.4m	1'4"
PRODUCTIVITY								
Platform Capacity (unrestricted)	300kg	661 lbs	300kg	661 lbs	300kg	661 lbs	300kg	661 lbs
Platform Capacity (restricted)	450kg	992 lbs	450kg	992 lbs	450kg	992 lbs	450kg	992 lbs
Max. Platform Occupancy	2 (unrestricted) / 3 (restricted)							
Turntable Rotation	360°Continuous		360°Continuous		360°Continuous		360°Continuous	
Drive Speed-Stowed	5km/h	3.1mph	5km/h	3.1mph	5km/h	3.1mph	5km/h	3.1mph
Drive Speed-Raised	0.8km/h	0.5mph	0.8km/h	0.5mph	0.8km/h	0.5mph	0.8km/h	0.5mph
Gradeability	45%		45%		45%		45%	
Max. Wind Speed	12.5m/s	28mph	12.5m/s	28mph	12.5m/s	28mph	12.5m/s	28mph
Turning Radius-Inside	1.9m	6'3"	1.9m	6'3"	2.04m	6'8"	2.04m	6'8"
Turning Radius-Outside	3.9m	12'10"	3.9m	12'10"	4.13m	13'7"	4.13m	13'7"
Max. Slope	5°/5°		5°/5°		5°/5°		5°/5°	
Tire Type	RT Foam-filled		RT Foam-filled		RT Foam-filled		RT Foam-filled	
Tire Size	355/55D625		355/55D625		15-625		15-625	
POWER								
Power	80V DC 375Ah		80V DC 375Ah		80V DC 542Ah		80V DC 542Ah	
HYDRAULIC SYSTEM								
Hydraulic Oil Volume	120L	31.7gal	120L	31.7gal	138L	36.5gal	138L	36.5gal
WEIGHT								
Machine Weight (CE/ANSI)	12000kg	26455 lbs	12300kg	27117 lbs	18200kg	40124 lbs	18700kg	41226 lbs

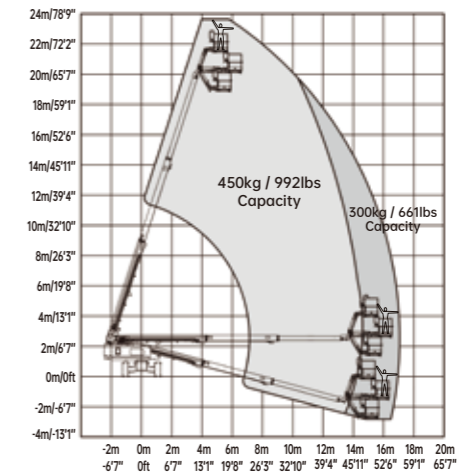
STANDARD FEATURES

- Proportional control
- Overload sensing system
- Descent alarm with flashing beacon
- Platform auto-leveling system
- Emergency stop button
- On-board diagnostic system
- Oscillating axle
- 4W drive, 4W steering, 4W full-time floating
- Over-tilt protection system
- Anti-collision protection
- Platform control cover
- Cylinder bellows

MACHINE SIZE



T22JE WORKING RANGE



OPTIONAL

- AC power to platform
- Telematics
- Half and full aluminium platform mesh
- Glazier kit
- Auxiliary rail
- Battery isolator switch (double pole)
- White noise alarm
- Non-marking tires
- Solid tires



High Capacity
High Productivity

LGMG has a complete line of engine-driven, high-capacity telescopic boom aerial work platforms, with the maximum working height ranging from 21.8 to 29.8 meters (71'6"/97'9"). With a double capacity design of 450/300kg (992/661 lbs), the machine can allow up to 3 people to work at the same time both indoors and outdoors, which greatly improves work efficiency.

FEATURES

- Oscillating, full-floating axle, maximum 5 degree tilt angle chassis, allows the wheels to grip to the ground when navigating hard, uneven terrain.
- Proportional lift and drive controls deliver smoother maneuvering, precise positioning and comfortable operation.
- Automatic engine speed control with a boom that descends by gravity. Allows smooth movement, saves energy, and reduces noise.
- Intelligent diagnostic and control system with precise fault analysis, convenient and efficient.
- More than 95% of the main components and more than 80% of the structural parts are interchangeable, which helps to reduce spare parts storage costs and improve maintenance efficiency.

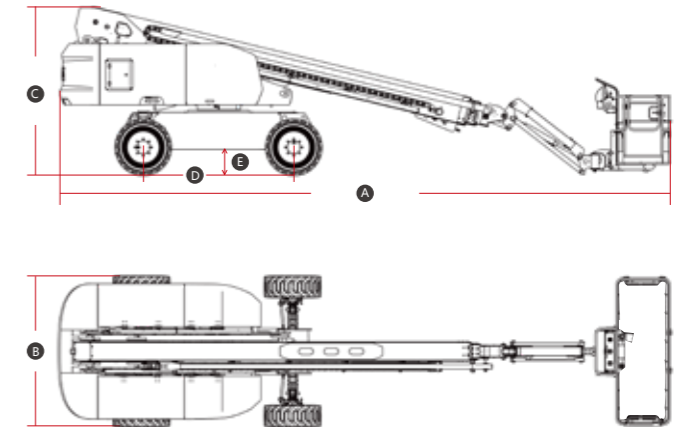
SPECIFICATIONS

MODELS	T20J-H (T65J-H)		T22J-H (T72J-H)		T26J-H (T85J-H)		T28J-H (T92J-H)	
Measurements	Metric	Imperial	Metric	Imperial	Metric	Imperial	Metric	Imperial
Work Height Max.	21.8m	71'6"	23.8m	78'1"	27.9m	91'6"	29.8m	97'9"
Platform Height	19.8m	65'	21.8m	71'6"	25.9m	85'	27.8m	91'2"
Horizontal Outreach Max.	16.6m	54'6"	16.6m	54'6"	21.6m	70'10"	21.6m	70'10"
Platform Length	2.44m	8'	2.44m	8'	2.44m	8'	2.44m	8'
Platform Width	0.9m	2'11"	0.9m	2'11"	0.9m	2'11"	0.9m	2'11"
A Length-Stowed	10.2m	33'6"	11m	36'1"	12.72m	41'9"	13.4m	44'
Length-Transport (jib tucked)	8.3m	27'3"	9.03m	29'8"	11m	36'1"	11.47m	37'8"
B Overall Width	2.49m	8'2"	2.49m	8'2"	2.5m	8'2"	2.5m	8'2"
C Height-Stowed	2.78m	9'1"	2.78m	9'1"	2.83m	9'3"	2.83m	9'3"
Height-Transport	2.89m	9'6"	2.88m	9'5"	3.03m	9'11"	3.02m	9'11"
D Wheelbase	2.51m	8'3"	2.51m	8'3"	2.85m	9'4"	2.85m	9'4"
E Ground Clearance	0.4m	1'4"	0.4m	1'4"	0.43m	1'5"	0.43m	1'5"
PRODUCTIVITY								
Platform Capacity (unrestricted)	300kg	661 lbs	300kg	661 lbs	300kg	661 lbs	300kg	661 lbs
Platform Capacity (restricted)	450kg	992 lbs	450kg	992 lbs	450kg	992 lbs	450kg	992 lbs
Max. Platform Occupancy	2 (unrestricted) / 3 (restricted)							
Turntable Rotation	360°Continuous		360°Continuous		360°Continuous		360°Continuous	
Drive Speed-Stowed	4.8km/h	3mph	4.8km/h	3mph	4.8km/h	3mph	4.8km/h	3mph
Drive Speed-Raised	0.8km/h	0.5mph	0.8km/h	0.5mph	0.8km/h	0.5mph	0.8km/h	0.5mph
Gradeability	45%		45%		45%		45%	
Max. Wind Speed	12.5m/s	28mph	12.5m/s	28mph	12.5m/s	28mph	12.5m/s	28mph
Turning Radius-Inside	2.5m	8'2"	2.5m	8'2"	3.66m	12'	3.66m	12'
Turning Radius-Outside	5.5m	18'	5.5m	18'	6.55m	21'6"	6.55m	21'6"
Max. Slope	5°/5°		5°/5°		5°/5°		5°/5°	
Tire Type	RT Foam-filled		RT Foam-filled		RT Foam-filled		RT Foam-filled	
Tire Size	355/55D625		355/55D625		18-625		18-625	
POWER								
Power	Deutz D2.9L4 / Kubota V2403				Deutz TD2.9L4 / Kubota V3307			
Fuel Tank Capacity	100L	26.4gal	100L	26.4gal	100L	26.4gal	100L	26.4gal
HYDRAULIC SYSTEM								
Hydraulic Oil Volume	180L	47.5gal	180L	47.5gal	180L	47.5gal	180L	47.5gal
WEIGHT								
Machine Weight (CE/ANSI)	12000kg	26455 lbs	12300kg	27117 lbs	18300kg	40345 lbs	18800kg	41447 lbs

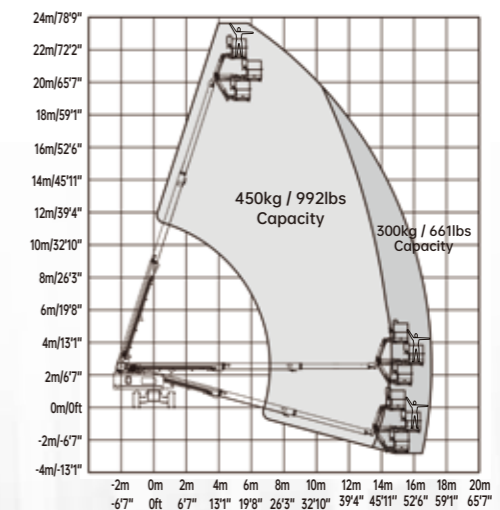
STANDARD FEATURES

- Proportional control
- Overload sensing system
- Descent alarm with flashing beacon
- Platform auto-leveling system
- Emergency stop button
- On-board diagnostic system
- Oscillating axle
- Over tilt protection system
- Anti-collision protection
- Platform control cover
- Cylinder bellows
- 2.44m large working platform

MACHINE SIZE



T22J-H WORKING RANGE



OPTIONAL

- AC power to platform
- Telematics
- Hydraulic generator
- Half and full aluminium platform mesh
- Glazier kit
- Auxiliary rail
- Battery isolator switch (double pole)
- White noise alarm
- Start motor isolator switch (double pole)
- Non-marking tires
- Solid tires



A09JE / A13JE-Li / A14JE / AR20JE

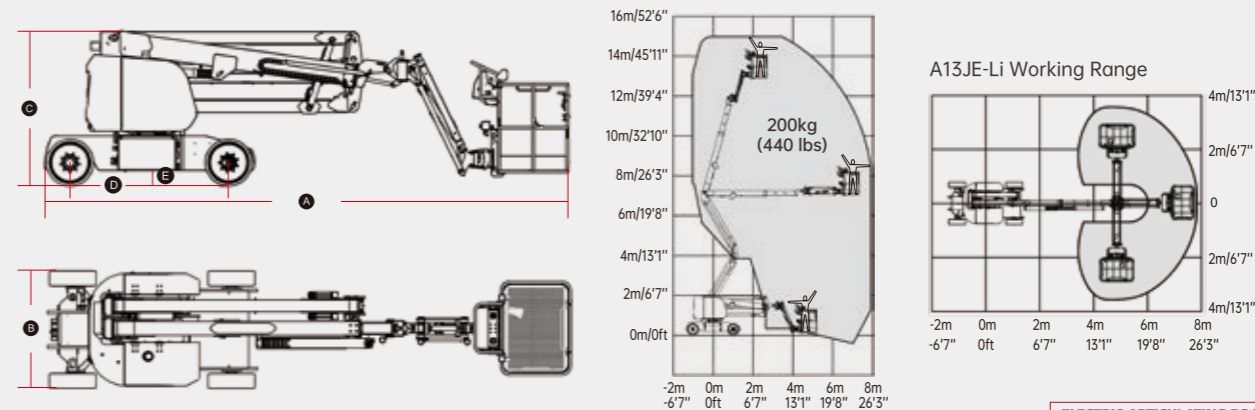
ELECTRIC ARTICULATING BOOM LIFT

LGMG electric articulating boom aerial work platforms provide environmentally friendly, zero-emission operation for indoor and outdoor applications. The maximum working height ranges from 11 to 21.58 meters (36'1"/70'10").

- Proportional control ensures smooth driving, precise positioning and comfortable operation.
- Battery powered provides quiet and long battery duty cycle.
- Self-leveling platform together with hydraulic platform rotation delivers exceptional productivity.
- Intelligent self-diagnostic system for quick troubleshooting.
- AR20JE are equipped with the oscillating, full-time floating axle, and three steering modes: four-wheel steering, crab steering and front-wheel steering.

SPECIFICATIONS

MODELS	A09JE (A30JE)		A13JE-Li (A43JE-Li)		A14JE (A45JE)		AR20JE (AR65JE)	
Measurements	Metric	Imperial	Metric	Imperial	Metric	Imperial	Metric	Imperial
Work Height Max.	11m	36'1"	15m	49'3"	15.8m	51'10"	21.58m	70'10"
Platform Height	9m	29'6"	13m	42'8"	13.8m	45'3"	19.58m	64'3"
Horizontal Outreach	6.25m	20'6"	7.46m	24'6"	7.81m	25'7"	12.37m	40'7"
Up and Over Height	4.12m	13'6"	7.1m	23'4"	7.26m	23'10"	8.19m	26'10"
Platform Length	1.17m	3'10"	1.2m	3'11"	1.83m	6'	2.44m	8'
Platform Width	0.76m	2'6"	0.9m	2'11"	0.76m	2'6"	0.9m	2'11"
Platform Capacity (unrestricted)	230kg	507 lbs	200kg	440 lbs	230kg	510 lbs	260kg	573 lbs
Platform Capacity (restricted)	/	/	/	/	/	/	350kg	772 lbs
A Stowed Length	5.46m	17'11"	6.7m	22'	6.66m	21'10"	9.42m	30'11"
Length-Transport (jib tucked)	3.58m	11'89"	5.76m	18'11"	5.67m	18'72"	7.63m	25'04"
B Overall Width	1.19m	3'11"	1.5m	4'11"	1.8m	5'11"	2.5m	8'2"
C Stowed Height	2m	6'7"	1.98m	6'6"	1.98m	6'6"	2.46m	8'1"
Height-Transport	2.52m	8'32"	2.66m	8'87"	2.54m	8'40"	2.96m	9'85"
D Wheelbase	1.58m	5'2"	2.03m	6'8"	2.03m	6'8"	2.51m	8'3"
E Ground Clearance	0.09m	4"	0.2m	8"	0.24m	9"	0.4m	1'4"
PRODUCTIVITY								
Max. Platform Occupancy	2		2		2		2 (unrestricted) / 3 (restricted)	
Turntable Rotation	355°	355°	355°	355°	355°	355°	360°	360°
Drive Speed-Stowed	5km/h	3.1mph	5km/h	3.1mph	4.8km/h	3mph	5km/h	3.1mph
Drive Speed-Raised	0.65km/h	0.4mph	0.8km/h	0.5mph	1km/h	0.62mph	0.8km/h	0.5mph
Gradeability	30%	30%	30%	30%	30%	30%	45%	45%
Max. Wind Speed	12.5m/s	28mph	12.5m/s	28mph	12.5m/s	28mph	12.5m/s	28mph
Turning Radius-Inside	1.65m	5'5"	2.2m	7'3"	1.83m	6'	1.9m	6'3"
Turning Radius-Outside	3.15m	10'4"	4.07m	13'4"	4.1m	13'5"	3.9m	12'10"
Max. Slope	2.5°/4.5°	2.5°/4.5°	3°/3°	3°/3°	3°/3°	3°/3°	4°/4°	4°/4°
Tire Type	Solid Non-marking		Solid Non-marking		Foam-filled		RT Foam-filled	
Tire Size	560x180mm	22"x7"	600x190mm	24"x7"	9-14.5		355/55D625	
POWER								
Lead-acid Battery	48V 390Ah		/		48V 390Ah		/	
Lithium Battery	/		48V 250Ah		48V 280Ah		80V 271Ah	
HYDRAULIC SYSTEM								
Hydraulic Oil Volume	17L	4.5gal	25L	6.6gal	30L	7.9gal	77L	20.3gal
WEIGHT								
Machine Weight (CE/ANSI)	6700kg	14770 lbs	6950kg	15322 lbs	7500kg	16535 lbs	9700kg	21385 lbs



AR14J / AR14J-H / AR16J / AR20J

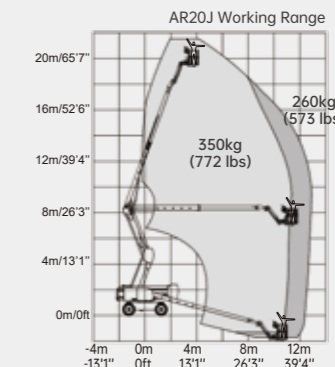
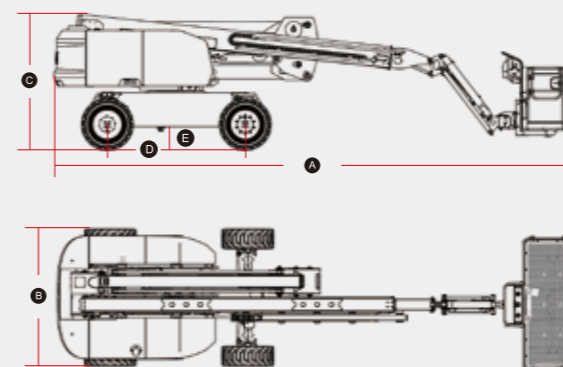
DIESEL ARTICULATING BOOM LIFT

LGMG diesel-powered articulating boom aerial work platforms are purpose-built for outdoor construction and industrial applications, with the maximum working height ranging from 16.09 to 21.58 meters (52'9"/70'10").

- The oscillating axles and four-wheel drive deliver better gradeability on rough terrain.
- Proportional smooth driving, precise positioning and comfortable operation.
- Self-leveling platform together with hydraulic platform rotation delivers exceptional productivity.
- Swing out engine tray for easy access and maintenance.
- Intelligent self-diagnostic system for quick troubleshooting.
- AR14J-H and AR20J are fitted with the full-time floating axle and three steering models: four-wheel steering, crab steering and front-wheel steering.

SPECIFICATIONS

MODELS	AR14J (AR45J)		AR14J-H (AR45J-H)		AR16J (AR52J)		AR20J (AR65J)	
Measurements	Metric	Imperial	Metric	Imperial	Metric	Imperial	Metric	Imperial
Work Height Max.	16.09m	52'9"	15.9m	52'2"	17.7m	58'1"	21.58m	70'10"
Platform Height	14.09m	46'3"	13.9m	45'7"	15.7m	51'6"	19.58m	64'3"
Horizontal Outreach	7.67m	25'2"	7.7m	25'3"	9.39m	30'10"	12.37m	40'7"
Up and Over Height	7.56m	24'10"	7.4m	24'3"	7.56m	24'10"	8.19m	26'10"
Platform Length	1.83m	6'	1.83m	6'	1.83m	6'	2.44m	8'
Platform Width	0.76m	2'6"	0.76m	2'6"	0.76m	2'6"	0.9m	2'11"
Platform Capacity (unrestricted)	230kg	510 lbs	300kg	661 lbs	230kg	510 lbs	260kg	573 lbs
Platform Capacity (restricted)	/	/	450kg	992 lbs	/	/	350kg	772 lbs
A Stowed Length	6.77m	22'3"	6.95m	22'10"	7.56m	24'10"	9.42m	30'11"
Length-Transport (jib tucked)	5.49m	18'01"	5.9m	19'43"	6.17m	20'29"	7.63m	25'04"
B Overall Width	2.31m	7'7"	2.3m	7'7"	2.31m	7'7"	2.5m	8'2"
C Stowed Height	2.17m	7'1"	2.24m	7'4"	2.17m	7'1"	2.46m	8'1"
Height-Transport	2.62m	8'7"	2.65m	8'8"	2.57m	8'5"	2.96m	9'9"
D Wheelbase	2.06m	6'9"	2.25m	7'5"	2.06m	6'9"	2.51m	8'3"
E Ground Clearance	0.36m	1'2"	0.35m	1'2"	0.36m	1'2"	0.4m	1'4"
PRODUCTIVITY								
Max. Platform Occupancy	2		2 (unrestricted) / 3 (restricted)		2		2 (unrestricted) / 3 (restricted)	
Turntable Rotation	355°	355°	355°	355°	355°	355°	360°	360°
Drive Speed-Stowed	6.1km/h	3.8mph	5km/h	3.1mph	6.1km/h	3.8mph	5km/h	3.1mph
Drive Speed-Raised	0.8km/h	0.5mph	0.8km/h	0.5mph	0.8km/h	0.5mph	0.8km/h	0.5mph
Gradeability	45%	45%	45%	45%	45%	45%	45%	45%
Max. Wind Speed	12.5m/s	28mph	12.5m/s	28mph	12.5m/s	28mph	12.5m/s	28mph
Turning Radius-Inside	1.94m	6'4"	1.67m	5'6"	1.94m	6'4"	1.9m	6'3"
Turning Radius-Outside	4.41m	14'6"	3.66m	12'	4.41m	14'6"	3.9m	12'10"
Max. Slope	4.5°/4.5°	4.5°/4.5°	5°/5°	5°/5°	4.5°/4.5°	4.5°/4.5°	4°/4°	4°/4°
Tire Type	RT Foam-filled		RT Foam-filled		RT Foam-filled		RT Foam-filled	
Tire Size	315/55D20		315/55D20		315/55D20		355/55D625	
POWER								
Power Source	Deutz D2.9L4 Kubota V2403		Kubota V2403 Kubota D1105		Deutz D2.9L4 Kubota V2403		Kubota V2403	
Fuel Tank Capacity	65L	17.2gal	65L	17.2gal	65L	17.2gal	65L	17.2gal
HYDRAULIC SYSTEM								
Hydraulic Oil Volume	130L	34.3gal	75L	19.8gal	130L	34.3gal	100L	26.4gal
WEIGHT								
Machine Weight (CE/ANSI)	7160kg	15785 lbs	7400kg	16314 lbs	8180kg	18034 lbs	9850kg	21715 lbs





- The large platform with high capacity maximizes productivity.
- Battery powered, zero emission and quiet drive mean this machine is environmentally friendly.
- Equipped with oscillating axles that provide excellent performance in soft and rough terrain conditions.
- Hydraulic outriggers deliver a better solution on uneven ground.
- Intelligent self-diagnostic system for quick troubleshooting.

SPECIFICATIONS

MODELS	SR0818E (SR2669E)		SR1018E (SR3369E)		SR1218E (SR4069E)		SR1418E (SR4669E)	
Measurements	Metric	Imperial	Metric	Imperial	Metric	Imperial	Metric	Imperial
Work Height Max.	9.7m	31'10"	11.7m	38'5"	13.9m	45'7"	15.8m	51'10"
A Platform Height-Raised	7.7m	25'3"	9.7m	31'10"	11.9m	39'	13.8m	45'3"
B Platform Height-Stowed	1.41m	4'8"	1.41m	4'8"	1.56m	5'1"	1.75m	5'9"
C Platform Length	2.79m	9'2"	2.79m	9'2"	2.79m	9'2"	2.79m	9'2"
D Platform Width	1.6m	5'3"	1.6m	5'3"	1.6m	5'3"	1.6m	5'3"
E Overall Length (with ladder)	3.11m	10'2"	3.76m	12'4"	3.76m	12'4"	3.73m	12'3"
F Overall Width	1.79m	5'10"	1.79m	5'10"	1.79m	5'10"	1.84m	6'
G Overall Height-Rails up	2.58m	8'6"	2.55m	8'4"	2.7m	8'10"	2.9m	9'6"
Overall Height-Rails down	1.89m	6'2"	1.89m	6'2"	2.04m	6'8"	2.24m	7'4"
Extension Deck	1.52m	5'	1.52m	5'	1.52m	5'	1.5m	4'11"
H Wheelbase	2.29m	8'	2.29m	8'	2.29m	8'	2.29m	8'
Ground Clearance-Center	0.23m	9"	0.23m	9"	0.23m	9"	0.23m	9"
Productivity								
Max. Platform Occupancy	4 (in) / 4 (out)		4 (in) / 2 (out)		3 (in) / 2 (out)		2 (in) / 2 (out)	
Platform Capacity	680kg	1499 lbs	454kg	1000 lbs	365kg	805 lbs	365kg	805 lbs
Platform Capacity-Extension	140kg	310 lbs	140kg	310 lbs	140kg	310 lbs	140kg	309 lbs
Drive Height	Full Height		Full Height		Full Height		Full Height	
Gradeability-Stowed	40%	40%	35%	35%	35%	35%	35%	35%
Turning Radius-Outside	4.75m	15'7"	4.75m	15'7"	4.75m	15'7"	4.75m	15'7"
Raise/Lower Speed	35s / 30s		39s / 46s		61s / 55s		80s / 60s	
Brakes	Rear-wheel Brake		Rear-wheel Brake		Rear-wheel Brake		Rear-wheel Brake	
Drive Mode	4x2		4x2		4x2		4x2	
Tire Type	Foam-filled Non-marking		Foam-filled Non-marking		Foam-filled Non-marking		Solid Non-marking	
Tire Size	663x283mm	26"x11"	663x283mm	26"x11"	663x283mm	26"x11"	663x283mm	26"x11"
Power								
Power Source	48V DC 315Ah		48V DC 315Ah		48V DC 315Ah		48V DC 390Ah	
Hydraulic System								
Hydraulic Oil Volume	50L	13.21gal	70L	18.5gal	70L	18.5gal	50L	13.2gal
Weight								
Machine Weight with Outriggers (CE/ANSI) *	4190kg	9237 lbs	4350kg	9570 lbs	5100kg	11245 lbs	6260kg	13800 lbs
Machine Weight without Outriggers (CE/ANSI)	3720kg	8201 lbs	/	/	/	/	/	/

* Hydraulic outriggers are optional for SR0818E and SR0818D



- Larger work platform with high capacity offers great productivity.
- Powerful diesel engine, oscillating axles and four-wheel drive provide better performance on most rough terrain job sites.
- The overload system and motion alarm help the operator to complete the job in a much safer way.
- Pull-out engine tray for easy access and maintenance.
- On-board self-diagnosis system makes it easier for quick troubleshooting.

SPECIFICATIONS

MODELS	SR0818D (SR2669D)		SR1018D (SR3369D)		SR1218D (SR4069D)	
	Metric	Imperial	Metric	Imperial	Metric	Imperial
Measurements						
Work Height Max.	9.7m	31'10"	11.7m	38'5"	13.9m	45'7"
A Platform Height-Raised	7.7m	25'3"	9.7m	31'10"	11.9m	39'1"
B Platform Height-Stowed	1.41m	4'8"	1.41m	4'8"	1.56m	5'1"
C Platform Length	2.79m	9'2"	2.79m	9'2"	2.79m	9'2"
D Platform Width	1.6m	5'3"	1.6m	5'3"	1.6m	5'3"
E Overall Length (with ladder)	3.11m	10'2"	3.76m	12'4"	3.76m	12'4"
F Overall Width	1.79m	5'10"	1.79m	5'10"	1.79m	5'10"
G Overall Height-Rails up	2.58m	8'6"	2.55m	8'4"	2.7m	8'10"
Overall Height-Rails down	1.89m	6'2"	1.89m	6'2"	2.04m	6'8"
Extension Deck	1.52m	5'	1.52m	5'	1.52m	5'
H Wheelbase	2.29m	7'6"	2.29m	7'6"	2.29m	7'6"
Ground Clearance-Center	0.23m	9"	0.23m	9"	0.23m	9"
Productivity						
Max. Platform Occupancy	4 (in) / 4 (out)		4 (in) / 2 (out)		3 (in) / 2 (out)	
Platform Capacity	680kg	1499 lbs	454kg	1000 lbs	365kg	805 lbs
Platform Capacity-Extension	140kg	310 lbs	140kg	310 lbs	140kg	310 lbs
Drive Height	Full Height		Full Height		Full Height	
Gradeability-Stowed	40%	40%	35%	35%	35%	35%
Turning Radius-Outside	4.75m	15'7"	4.75m	15'7"	4.75m	15'7"
Raise/Lower Speed	35s / 30s		39s / 46s		61s / 55s	
Brakes	Four-wheel Brake		Four-wheel Brake		Four-wheel Brake	
Drive Mode	4x4		4x4		4x4	
Tire Type	Foam-filled		Foam-filled		Foam-filled	
Tire Size	663x283mm	26"x11"	663x283mm	26"x11"	663x283mm	26"x11"
Power						
Power Source	Kubota D1105 18.5kw/24.8hp		Kubota D1105 18.5kw/24.8hp		Kubota D1105 18.5kw/24.8hp	
Fuel Tank Capacity	53L	14gal	53L	14gal	53L	14gal
Hydraulic System						
Hydraulic Oil Volume	50L	13.21gal	50L	13.2gal	50L	13.2gal
Weight						
Machine Weight with Outriggers (CE/ANSI) *	4170kg	9193 lbs	4330kg	9545 lbs	5080kg	11200 lbs
Machine Weight without Outriggers (CE/ANSI)	3700kg	8157 lbs	/	/	/	/

* Hydraulic outriggers are optional for SR0818E and SR0818D

SPECIFICATIONS

MODELS	SR1023D (SR3390D)		SR1323D (SR4390D)		SR1623D (SR5390D)	
Measurements	Metric	Imperial	Metric	Imperial	Metric	Imperial
Work Height Max.	12m	39'4"	15m	49'3"	17.9m	58'9"
A Platform Height-Raised	10m	32'10"	13m	42'8"	15.9m	52'2"
B Platform Height-Stowed	1.58m	5'2"	1.83m	6'	2.08m	6'10"
C Platform Length	3.98/4.81m	13'1"/15'9"	3.98/4.81m	13'1"/15'9"	3.98/4.81m	13'1"/15'9"
D Platform Width	1.83m	6'	1.83m	6'	1.83m	6'
E Overall Length (with ladder)	4.9m	16'1"	4.9m	16'1"	4.9m	16'1"
F Overall Width	2.3m	7'7"	2.3m	7'7"	2.3m	7'7"
G Overall Height-Rails up	2.74m	9'	2.96m	9'9"	3.18m	10'5"
Overall Height-Rails down	2.06m	6'9"	2.28m	7'6"	2.5m	8'2"
Extension Deck	1.45/1.14m	4'9"/3'9"	1.45/1.14m	4'9"/3'9"	1.45/1.14m	4'9"/3'9"
H Wheelbase	2.85m	9'4"	2.85m	9'4"	2.85m	9'4"
Ground Clearance-Center	0.23m	9"	0.23m	9"	0.23m	9"
Productivity						
Max. Platform Occupancy	7 (in) / 7 (out)		7 (in) / 7 (out)		4 (in) / 4 (out)	
Platform Capacity	1100kg	2430 lbs	680kg	1500 lbs	680kg	1500 lbs
Platform Capacity-Extension	230kg	510 lbs	230kg	510 lbs	230kg	510 lbs
Drive Height	Full Height		Full Height		8.5m	27'11"
Gradeability-Stowed	40%	40%	40%	40%	40%	40%
Turning Radius-Outside	5.33m	17'6"	5.33m	17'6"	5.33m	17'6"
Raise/Lower Speed	45s / 45s		55s / 55s		55s / 55s	
Brakes	Four-wheel Brake		Four-wheel Brake		Four-wheel Brake	
Drive Mode	4x4		4x4		4x4	
Tire Type	Solid		Solid		Solid	
Tire Size	835x290mm	33"x11"	835x290mm	33"x11"	835x290mm	33"x11"
Power						
Power Source	Deutz D2.9 L4 36.4kw/48.8hp		Deutz D2.9 L4 36.4kw/48.8hp		Deutz D2.9 L4 36.4kw/48.8hp	
Fuel Tank Capacity	110L	30gal	110L	30gal	110L	30gal
Hydraulic System						
Hydraulic Oil Volume	140L	37gal	140L	37gal	140L	37gal
Weight						
Machine Weight (7.4m platform, CE)	6980kg	15400 lbs	7460kg	16450 lbs	8200kg	18080 lbs
Machine Weight (6.58m platform, ANSI)	6880kg	15170 lbs	7360kg	16230 lbs	8100kg	17860 lbs

STANDARD FEATURES

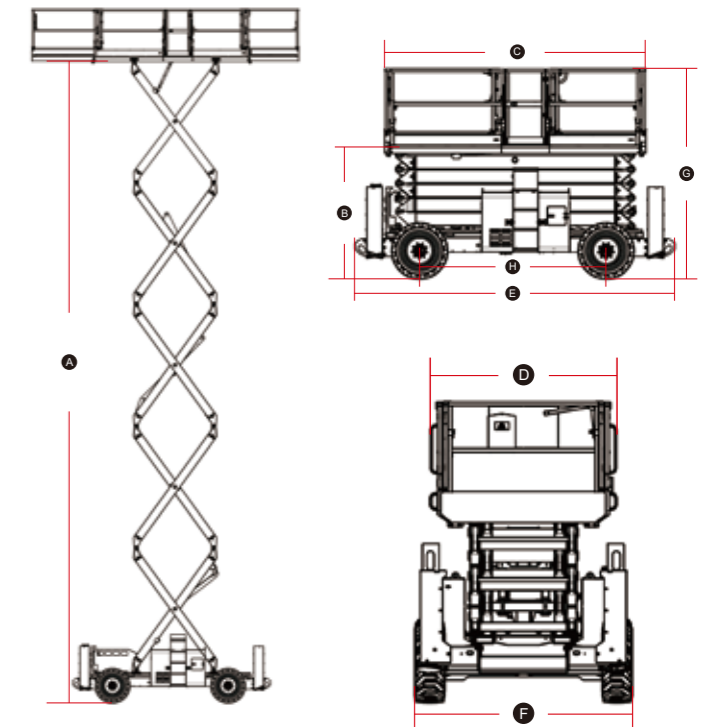
- Proportional control
- Descent alarm with flashing beacon
- Emergency stop button
- Tilt alarm with lift cut-out
- Self-lock entry gate
- On-board diagnostic system
- Emergency descent
- Oscillating axle
- Overload sensing system
- Auto-leveling outriggers
- Horn

OPTIONAL

- AC power to platform
- Telematics
- Hydraulic generator
- Pipe racks (Only for SR1323D / SR1623D)
- Solid non-marking tires
- Foam-filled non-marking tires
- Foam-filled tires
- Solid tires

* The features are for electric and diesel RT scissor lifts.

MACHINE SIZE



SCISSOR LIFT RANGE (SS SERIES)

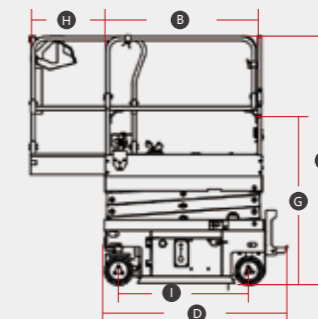


LGMG's micro scissors are ideal solutions for the low-level access and space restricted application job sites. Shorten overall machine length, lighter weight and compact design make the machine suitable for most elevators.

- Battery powered, zero emission, and quiet drive make the machine environmentally friendly.
- Efficient electric drive system provides longer-lasting performance and better gradeability.
- Exceptional waterproofed drive system design provides excellent performance in wet conditions.

SPECIFICATIONS

MODELS	SS0407ER (SS1230ER)		SS0507E (SS1432E)	
Measurements	Metric	Imperial	Metric	Imperial
Work Height Max.	5.6m	18'5"	6.3m	20'8"
A Platform Height-Raised	3.6m	11'10"	4.3m	14'1"
B Platform Length	1.27m	4'2"	1.35m	4'5"
C Platform Width	0.7m	2'4"	0.7m	2'4"
D Overall Length	1.47m	4'10"	1.53m	5'
E Overall Width	0.76m	2'6"	0.81m	2'8"
F Overall Height-Rails Up	2m	6'7"	2.15m	7'1"
G Overall Height-Rails Down	1.57m	5'2"	1.76m	5'9"
H Extension Deck	0.6m	2'	0.6m	2'
I Wheelbase	1.05m	3'5"	1.12m	3'8"
Ground Clearance (Stowed/Raised)	50/20mm	2"/0.8"	50/16mm	2"/0.6"
PRODUCTIVITY				
Max. Platform Occupancy (In/Out)	2 / 1	2 / 1	2 / 1	2 / 0
Platform Capacity	240kg	530 lbs	230kg	510 lbs
Platform Capacity-Extension	100kg	221 lbs	113kg	265 lbs
Drive Height	Full Height		Full Height	
Gradeability-Stowed	25%		25%	
Turning Radius-Outside	1.5m	4'11"	1.5m	4'11"
Raise/Lower Speed	25s / 18s		25s / 20s	
Brakes	Rear-wheel Brake		Front-wheel Brake	
Drive Mode	4x2		4x2	
Tire Type	Solid Non-marking		Solid Non-marking	
Tire Size	230x80mm	9"x3"	230x80mm	9"x3"
POWER				
Power Source	24V DC 100Ah (Maintenance free)		24V DC 150Ah	
HYDRAULIC SYSTEM				
Hydraulic Oil Capacity	4L	1gal	4.5L	1gal
WEIGHT				
Machine Weight (CE/ANSI)	880kg	1940 lbs	985kg	2172 lbs





Entire range designed for indoor and outdoor use

The second-generation scissor lifts are all indoor-outdoor models, allowing two people to work on the platform indoors and one person outdoors, which is more aligned with customer requirements and improves efficiency on work sites.



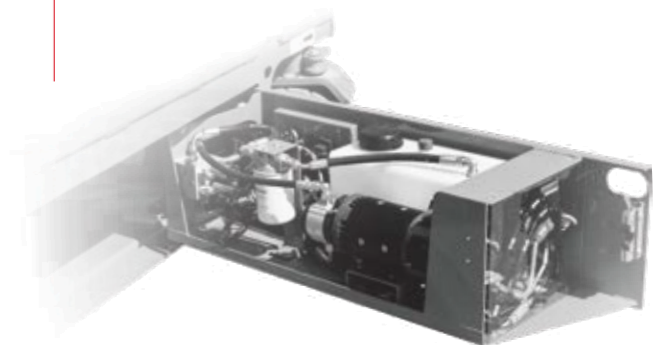
Large lower control panel

The lower control panel utilizes a large display which makes troubleshooting easier and more convenient. Multi-level menu design, multi-language support, and Bluetooth modules are available as optional.



More convenient to maintain

Optimized design of internal components for a more rational arrangement and easier maintenance.



Universal key components

The key components of the second-generation models such as joysticks, drive motors, motor controllers, and chargers are highly interchangeable with existing models on the market, making it easy to replace them quickly and efficiently, to save costs for daily operation and maintenance.



Optional lithium battery for the entire product range

The full range of second-generation scissor lifts is available with optional lithium batteries, 100% maintenance-free, fast-charging, long-life, and full-power.



ELECTRIC MOTOR DRIVE SCISSOR LIFT

MODELS	S0607EII (S1932EII)		S0608EII	S0808EII (S2632EII)	
Measurements	Metric	Imperial	Metric	Metric	Imperial
Work Height Max.	7.8m	25'7"	7.9m	9.8/8m (in / out)	32'2"/26'3" (in / out)
A Platform Height-Raised	5.8m	19'	5.9m	7.8/6m (in / out)	25'7"/19'8" (in / out)
B Platform Length	1.64m	5'5"	2.26m	2.26m	7'5"
C Platform Width	0.73m	2'5"	0.79m	0.79m	2'7"
D Overall Length	1.83m	6'	2.44m	2.44m	8'
E Overall Width	0.79m	2'7"	0.83m	0.83m	2'9"
F Overall Height-Guardrails Up	2.16m	7'1"	2.15m	2.28m	7'6"
G Overall Height-Guardrails Down	1.81m	5'11"	1.79m	1.9m	6'3"
H Extension Deck	0.9m	2'11"	0.9m	0.9m	2'11"
I Wheelbase	1.35m	4'5"	1.85m	1.85m	6'1"
Ground Clearance (Stowed/Raised)	78/26mm	3"/1"	100/20mm	100/20mm	4"/1"
PRODUCTIVITY					
Max. Platform Occupancy	2 (in) / 1 (out)		2 (in) / 1 (out)	2 (in) / 1 (out)	
Platform Capacity	230kg	510 lbs	380kg	230kg	510 lbs
Platform Capacity-Extension Deck	120kg	265 lbs	120kg	120kg	265 lbs
Drive Height	Full Height				
Gradeability-Stowed	25%	25%	25%	25%	25%
Min. Turning Radius	1.8m	5'11"	2.2m	2.2m	7'3"
Raise/Lower Speed	16s / 28s	16s / 28s	30s / 34s	31s / 40s	31s / 40s
Brakes	Front-wheel Brake				
Drive Mode	4x2	4x2	4x2	4x2	4x2
Tire Type	Solid Non-marking				
Tire Size	323x100mm	12"x4"	380x130mm	380x130mm	15"x5"
POWER					
Power Source	24V 225Ah		24V 225Ah	24V 225Ah	
HYDRAULIC SYSTEM					
Hydraulic Oil Capacity	5L	1.3gal	13L	13L	3.4gal
WEIGHT					
Machine Weight (CE/ANSI)	1610kg	3549 lbs	2040kg	2200kg	4850 lbs

ELECTRIC MOTOR DRIVE SCISSOR LIFT

MODELS	S0812EII (S2646EII)		S1012EII (S3246EII)		S1212EII (S4046EII)		S1413EII (S4650EII)	
Measurements	Metric	Imperial	Metric	Imperial	Metric	Imperial	Metric	Imperial
Work Height Max.	10m	32'10"	12m	39'4"	14/9.5m (in / out)	45'11"/31'2" (in / out)	15.8/10m (in / out)	51'10"/32'9" (in / out)
A Platform Height-Raised	8m	26'3"	10m	32'10"	12/7.5m (in / out)	39'4"/24'7" (in / out)	13.8/8m (in / out)	45'3"/26'3" (in / out)
B Platform Length	2.26m	7'5"	2.26m	7'5"	2.26m	7'5"	2.64m	8'8"
C Platform Width	1.12m	3'8"	1.12m	3'8"	1.12m	3'8"	1.12m	3'8"
D Overall Length	2.49m	8'2"	2.49m	8'2"	2.49m	8'2"	2.8m	9'2"
E Overall Width	1.18m	3'10"	1.18m	3'10"	1.18m	3'10"	1.3m	4'3"
F Overall Height-Guardrails Up	2.36m	7'9"	2.49m	8'2"	2.63m	8'8"	2.74m	9'
G Overall Height-Guardrails Down	1.55m	5'1"	1.68m	5'6"	1.8m	5'11"	1.94m	6'4"
H Extension Deck	0.9m	2'11"	0.9m	2'11"	0.9m	2'11"	0.9m	2'11"
I Wheelbase	1.85m	6'1"	1.85m	6'1"	1.85m	6'1"	2.22m	7'3"
Ground Clearance (Stowed/Raised)	100/20mm	4"/1"	100/20mm	4"/1"	100/20mm	4"/1"	105/20mm	4"/1"
PRODUCTIVITY								
Max. Platform Occupancy	2 (in) / 1 (out)		2 (in) / 1 (out)		2 (in) / 1 (out)		2 (in) / 1 (out)	
Platform Capacity	450kg	990 lbs	320kg	705 lbs	320kg	705 lbs	320kg	705 lbs
Platform Capacity-Extension Deck	120kg	265 lbs	120kg	265 lbs	120kg	265 lbs	120kg	265 lbs
Drive Height	Full Height							
Gradeability-Stowed	25%		25%		25%		25%	
Min. Turning Radius	2.45m	8'	2.45m	8'	2.45m	8'	2.85m	9'4"
Raise/Lower Speed	35s / 40s		58s / 48s		65s / 60s		80s / 65s	
Brakes	Front-wheel Brake							
Drive Mode	4x2		4x2		4x2		4x2	
Tire Type	Solid Non-marking							
Tire Size	380x130mm	15"x5"	380x130mm	15"x5"	380x130mm	15"x5"	380x130mm	15"x5"
POWER								
Power Source	24V DC 240Ah		24V DC 240Ah		24V DC 300Ah		24V DC 300Ah	
HYDRAULIC SYSTEM								
Hydraulic Oil Capacity	16L	4.2gal	23L	6.1gal	23L	6.1gal	25.5L	6.7gal
WEIGHT								
Machine Weight (CE/ANSI)	2318kg	5110 lbs	2995kg	6603 lbs	2970kg	6548 lbs	3500kg	7716 lbs



HYDRAULIC MOTOR DRIVE SCISSOR LIFT

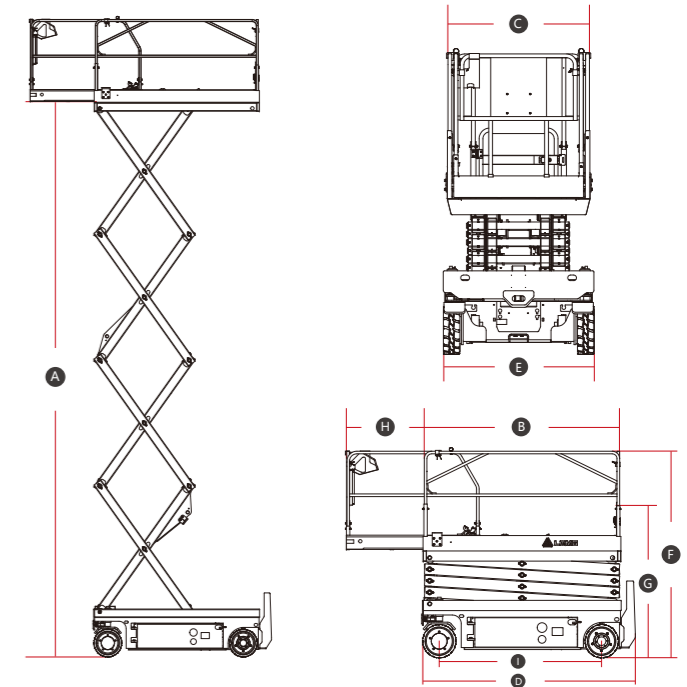
MODELS	S0607II (S1932II)		S0808II (S2632II)	
Measurements	Metric	Imperial	Metric	Imperial
Work Height Max.	7.8m	25'7"	9.8/8m (in / out)	32'2"/26'3" (in / out)
A Platform Height-Raised	5.8m	19'	7.8/6m (in / out)	25'7"/19'8" (in / out)
B Platform Length	1.64m	5'5"	2.26m	7'5"
C Platform Width	0.73m	2'5"	0.79m	2'7"
D Overall Length	1.83m	6'	2.44m	8'
E Overall Width	0.79m	2'7"	0.83m	2'9"
F Overall Height-Guardrails Up	2.16m	7'1"	2.28m	7'6"
G Overall Height-Guardrails Down	1.81m	5'11"	1.9m	6'3"
H Extension Deck	0.9m	2'11"	0.9m	2'11"
I Wheelbase	1.35m	4'5"	1.85m	6'1"
Ground Clearance (Stowed/Raised)	78/26mm	3"/1"	100/20mm	4"/1"
PRODUCTIVITY				
Max. Platform Occupancy	2 (in) / 1 (out)		2 (in) / 1 (out)	
Platform Capacity	230kg	510 lbs	230kg	510 lbs
Platform Capacity-Extension Deck	120kg	265 lbs	120kg	265 lbs
Drive Height	Full Height			
Gradeability-Stowed	25%	25%	25%	25%
Min. Turning Radius	1.7m	5'7"	2.2m	7'3"
Raise/Lower Speed	16s / 28s	16s / 28s	31s / 40s	31s / 40s
Brakes	Rear-wheel Brake			
Drive Mode	4x2	4x2	4x2	4x2
Tire Type	Solid Non-marking			
Tire Size	323x100mm	12"x4"	380x130mm	15"x5"
POWER				
Power Source	24V 225Ah		24V 225Ah	
HYDRAULIC SYSTEM				
Hydraulic Oil Capacity	9.5L	2.1gal	13L	3.4gal
WEIGHT				
Machine Weight (CE/ANSI)	1610kg	3549 lbs	2200kg	4850 lbs

HYDRAULIC MOTOR DRIVE SCISSOR LIFT

MODELS	S0812II (S2646II)		S1012II (S3246II)		S1212II (S4046II)		S1413II (S4650II)	
Measurements	Metric	Imperial	Metric	Imperial	Metric	Imperial	Metric	Imperial
Work Height Max.	10m	32'10"	12m	39'4"	14/9.5m (in / out)	45'11"/31'2" (in / out)	15.8/10m (in / out)	51'10"/32'9" (in / out)
A Platform Height-Raised	8m	26'3"	10m	32'10"	12/7.5m (in / out)	39'4"/24'7" (in / out)	13.8/8m (in / out)	45'3"/26'3" (in / out)
B Platform Length	2.26m	7'5"	2.26m	7'5"	2.26m	7'5"	2.64m	8'8"
C Platform Width	1.12m	3'8"	1.12m	3'8"	1.12m	3'8"	1.12m	3'8"
D Overall Length	2.49m	8'2"	2.49m	8'2"	2.49m	8'2"	2.8m	9'2"
E Overall Width	1.18m	3'10"	1.18m	3'10"	1.18m	3'10"	1.3m	4'3"
F Overall Height-Guardrails Up	2.36m	7'9"	2.49m	8'2"	2.63m	8'8"	2.74m	9'
G Overall Height-Guardrails Down	1.68m	5'6"	1.71m	5'7"	1.84m	6'	1.94m	6'4"
H Extension Deck	0.9m	2'11"	0.9m	2'11"	0.9m	2'11"	0.9m	2'11"
I Wheelbase	1.85m	6'1"	1.85m	6'1"	1.85m	6'1"	2.22m	7'3"
Ground Clearance (Stowed/Raised)	100/20mm	4"/1"	100/20mm	4"/1"	100/20mm	4"/1"	105/20mm	4"/1"
PRODUCTIVITY								
Max. Platform Occupancy	2 (in) / 1 (out)		2 (in) / 1 (out)		2 (in) / 1 (out)		2 (in) / 1 (out)	
Platform Capacity	450kg	990 lbs	320kg	705 lbs	320kg	705 lbs	320kg	705 lbs
Platform Capacity-Extension Deck	120kg	265 lbs	120kg	265 lbs	120kg	265 lbs	120kg	265 lbs
Drive Height	Full Height							
Gradeability-Stowed	25%		25%		25%		25%	
Min. Turning Radius	2.45m	8'	2.45m	8'	2.45m	8'	2.85m	9'4"
Raise/Lower Speed	35s / 40s		58s / 48s		65s / 60s		80s / 65s	
Brakes	Rear-wheel Brake							
Drive Mode	4x2		4x2		4x2		4x2	
Tire Type	Solid Non-marking							
Tire Size	380x130mm	15"x5"	380x130mm	15"x5"	380x130mm	15"x5"	380x130mm	15"x5"
POWER								
Power Source	24V DC 240Ah		24V DC 240Ah		24V DC 300Ah		24V DC 300Ah	
HYDRAULIC SYSTEM								
Hydraulic Oil Capacity	16L	4.2gal	23L	6.1gal	23L	6.1gal	25.5L	6.7gal
WEIGHT								
Machine Weight (CE/ANSI)	2395kg	5280 lbs	2995kg	6603 lbs	2970kg	6548 lbs	3500kg	7716 lbs

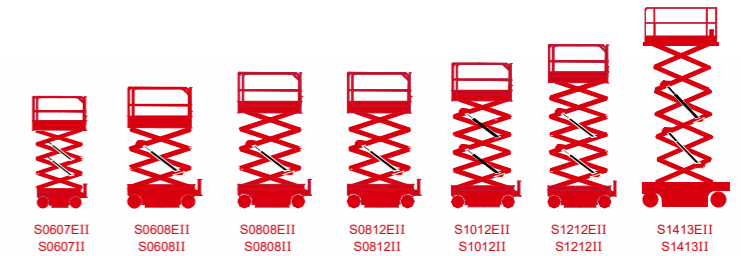
STANDARD FEATURES

- Indoor and outdoor rated
- Proportional control
- Foldable guardrail
- Emergency stop device
- Manual brake release
- Emergency descent
- Swing-out component tray
- Pothole guard
- Self-lock entry gate
- Tilt alarm with lift cut-out
- Overload sensing system
- Descent alarm with flashing beacon
- All motions alarm
- Full-height drive
- Intelligent diagnostic system



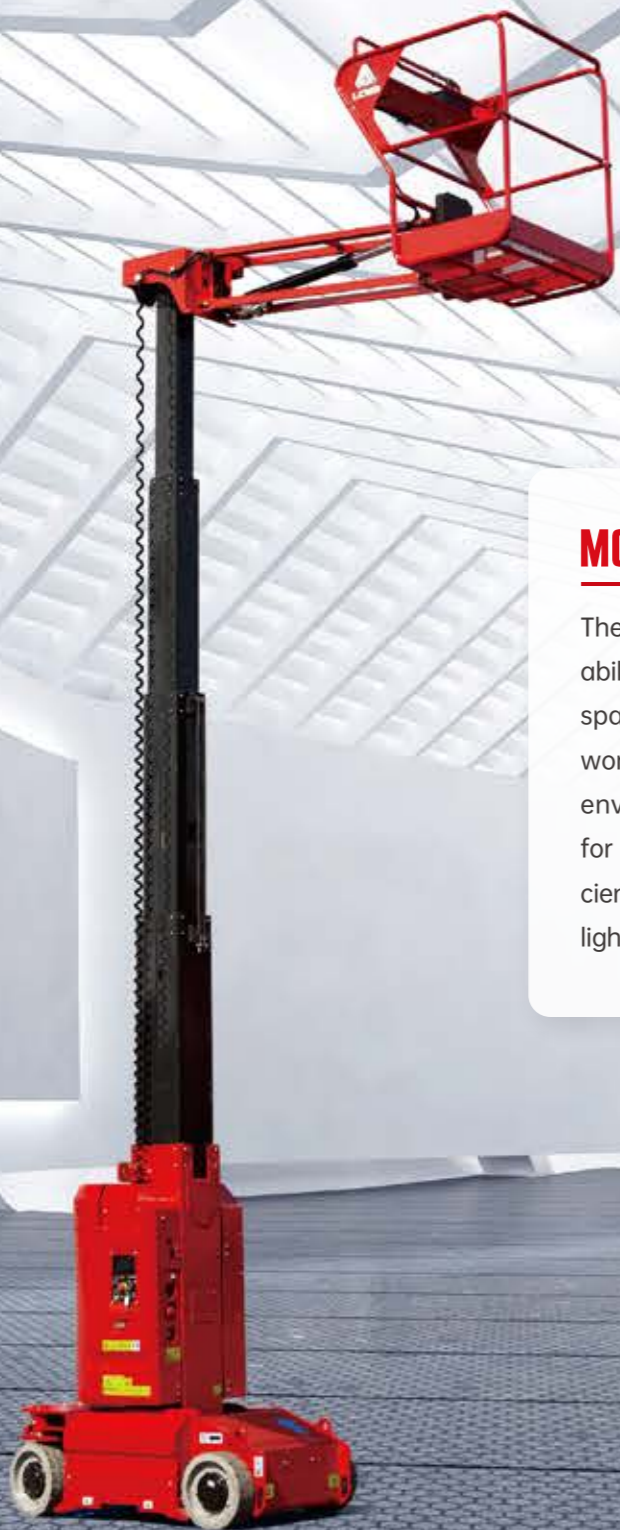
OPTIONAL

- AC power to platform
- Anti-collision protection
- Leak containment tray
- Maintenance-free battery
- Lithium battery
- Voice alarm system
- Telematics



M0810JE

VERTICAL MAST LIFT

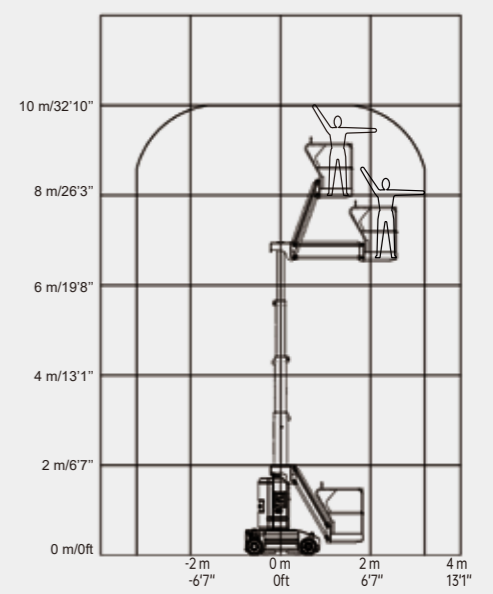
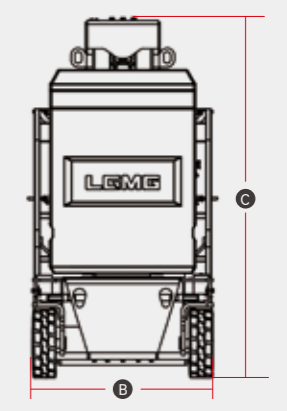
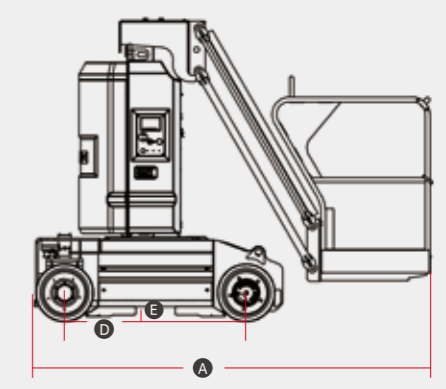


M0810JE

The M0810JE has excellent manoeuvrability and is easy to manoeuvre in tight spaces. The 3.2m jib allows for a larger working range. Featuring zero-emission, environmentally friendly electric drive for longer working hours and higher efficiency, the whole vehicle is small in size, light in weight and easy to transport.

SPECIFICATIONS

MODELS	M0810JE (M2640JE)	
Measurements	Metric	Imperial
Working Height Max.	10m	32'10"
Platform Height (Raised)	8m	26'3"
Horizontal Outreach	3.2m	10'6"
Up and Over Clearance Max.	6.6m	21'8"
Platform Size (LxW)	0.98x0.72m	39"x28"
A Overall Length	2.6m	8'6"
B Overall Width	1m	3'3"
C Overall Height (Stowed)	1.99m	6'6"
D Wheelbase	1.2m	3'11"
E Ground Clearance	0.1m	4"
PRODUCTIVITY		
Max. Platform Occupancy	2 (in) / 1 (out)	
Platform Capacity	200kg	440 lbs
Drive Mode	Rear Wheel	
Brakes	Rear Wheel	
Turntable Rotation	345°	345°
Max. Drive Speed (Stowed)	5km/h	3mph
Max. Drive Speed (Raised)	0.43km/h	0.27mph
Gradeability	25%	25%
Tailswing	0	0
Tire Size	380x130mm	15"x5"
POWER		
Power Source	24V 250Ah	
Hydraulic Oil Capacity	6.5L	1.7gal
Machine Weight (CE)	2720kg	5997 lbs



SC0407E

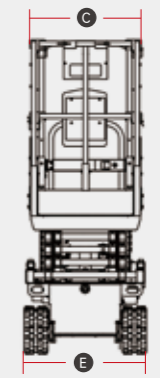
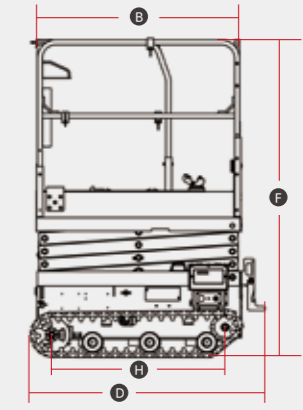
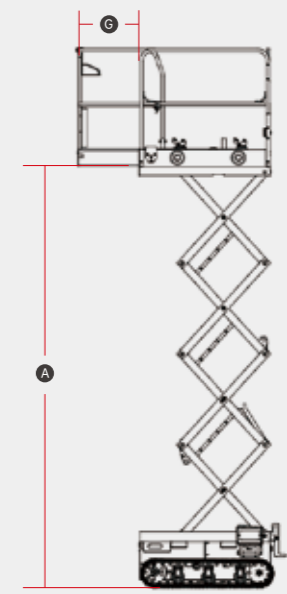
CRAWLER SCISSOR LIFT

LGMG's crawler scissor lift is easy to drive on slopes or uneven ground, and has excellent obstacle-surpassing performance, which is very suitable for the environment with low ground pressure. Compact in size with 360 degree turning on the spot, suitable for use in narrow spaces. Humanized design, simple operation and more convenient maintenance



SPECIFICATIONS

Models	SC0407E (SC1532E)	
Measurements	Metric	Imperial
Work Height Max.	6.5m	21'4"
A Platform Height-Raised	4.5m	14'9"
B Platform Length	1.29m	4'3"
C Platform Width	0.7m	2'4"
D Overall Length	1.47m	4'10"
E Overall Width	0.78m	2'7"
F Overall Height-Guardrails Up	1.99m	6'6"
G Extension Deck	0.6m	2'
H Wheelbase	0.95m	3'1"
Ground Clearance	118mm	5"
Productivity		
Max. Platform Occupancy	1 (in) / 0 (out)	
Platform Capacity	200kg	441 lbs
Platform Capacity-Extension Deck	115kg	254 lbs
Gradeability-Stowed	25%	25%
Min. Turning Radius	Turning on the spot	
Raise/Lower Speed	20s / 20s	20s / 20s
Power		
Power Source	24V 130Ah	24V 130Ah
Hydraulic System		
Hydraulic Oil Capacity	4L	1gal
Weight		
Machine Weight (CE/ANSI)	800kg	1764 lbs



SERVICE CONCEPT

Create Lasting Value, Boost Brand-building, Focus on Detail, Go Beyond Expectation

LGMG provides comprehensive pre-sale, sale and after-sale attentive service. Integrate precise service into any link closely related to each customer, and provide technical support, training programs, warranty and parts sales to customers during the whole machine life-cycle.



SERVICE CONCEPT

TECHNICAL SUPPORT

LGMG service teams always provide remote technical support by phone or email and even on-site support with manuals, tools, information and service solutions.

SERVICE CONCEPT

TRAINING SUPPORT

LGMG provides various training programs for operators and service technicians, helping rental companies to improve their service and training capabilities via dedicated courses prepared by LGMG teams either online or on-site.



SERVICE CONCEPT

PARTS SUPPORT

LGMG provides sufficient stock of parts in LGMG's China headquarters, LGMG Europe/North America/Japan, and other global service centers. Accurate parts manuals and technical support teams are always available to answer your questions.



TRAINING CASE

Rigorous trainings / Professional certifications



APPLICATION SCENARIO

Perfect for different job sites

