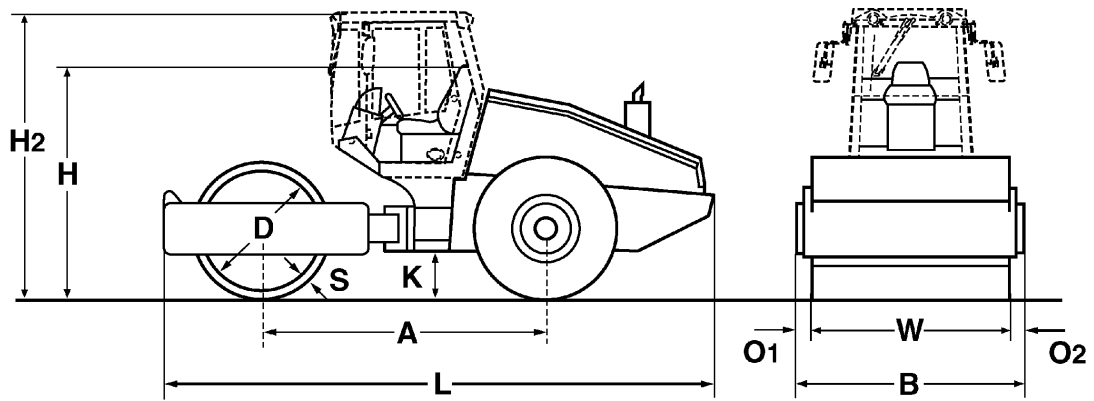


# TECHNICAL DATA

SINGLE DRUM ROLLERS

BW 211 D-40, BW 211 PD-40





**Dimensions in mm**

	A	B	D	H	H2	K	L	O1	O2	S	W
<b>BW 211 D-40</b>	2960	2250	1500	2268	2985	490	5840	60	60	25	2130
<b>BW 211 PD-40</b>	2960	2250	1480	2268	2985	490	5840	60	60	25	2130

**Shipping dimensions in m3**

**BW 211 D-40**  
**BW 211 PD-40**

**without ROPS**

29,802  
 29,802

**with ROPS**

39,223  
 39,223

Machine type	Compaction output (m3/h)			
	Rock fill	Gravel, sand	Mixed soil	Silt, clay
BW 211 D-40	400-800	270-540	220-440	110-220
BW 211 PD-40	400-800	270-540	220-440	160-320

Machine type	Compacted layer thickness (m)			
	Rock fill	Gravel, sand	Mixed soil	Silt, clay
BW 211 D-40	0,70	0,50	0,40	0,20
BW 211 PD-40	0,70	0,50	0,40	0,25

**Technical Data****BOMAG  
BW 211 D-40****BOMAG  
BW 211 PD-40****Weights**

Grossweight .....	kg	13.000	12.620
Max. axle load, drum CECE .....	kg	8.050	7.670
Max. axle load, wheels CECE .....	kg	4.950	4.950
Operating weight CECE .....	kg	9.500	11.350
Axle load, drum CECE .....	kg	5.750	6.750
Axle load, wheels CECE .....	kg	3.750	4.600
Static linear load CECE .....	kg/cm	27,0	
Max. static linear load CECE .....	kg/cm	37,8	

**Dimensions**

Working width .....	mm	2.130	2.130
Track radius, inner .....	mm	3.494	3.494

**Driving Characteristics**

Speed (1) .....	km/h	0- 6,0	0- 6,0
Speed (2) .....	km/h	0- 10,0	0- 10,0
Max. gradeability without/with vibr. ....	%	45/43	49/46

**Drive**

Engine manufacturer .....		Deutz	Deutz
Type .....		BF4M 2012 C	BF4M 2012 C
Emission stage .....		Stage II / TIER2	Stage II / TIER2
Cooling .....		water	water
Number of cylinders .....		4	4
Performance ISO 3046 .....	kW	98,0	98,0
Performance SAE J 1995 .....	hp	132,0	132,0
Speed .....	min-1	2.300	2.300
Fuel .....		diesel	diesel
Electric equipment .....	V	12	12
Drive system .....		hydrost.	hydrost.
Drum driven .....		standard	standard

**Drums and Tyres**

Tyre size .....		23.1-26/12PR	23.1-26/12PR
Number of pad feet .....			150
Height of pad feet .....	mm		100
Area of one pad foot .....	cm2		137

**Brakes**

Service brake .....		hydrost.	hydrost.
Parking brake .....		hydromec.	hydromec.

**Steering**

Steering system .....		oscil.artic.	oscil.artic.
Steering method .....		hydrost.	hydrost.
Steering / oscillating angle +/- .....	grad	35/12	35/12

**Exciter system**

Drive system .....		hydrost.	hydrost.
Frequency .....	Hz	30/36	30/36
Amplitude .....	mm	1,80/0,95	1,70/0,86
Centrifugal force .....	kN	236/170	275/202
Centrifugal force .....	t	24,1/17,3	28,1/20,6

**Capacities**

Fuel .....	l	250,0	250,0
------------	---	-------	-------

Technical modifications reserved. Machines may be shown with options.

### Standard Equipment

- Warning, information and operation displays with round gauge
- Hydrostatic travel and vibration drive
- Hydrostatic articulated steering
- Articulated joint lock
- Rear axle with twin spring accumulator brakes
- No-Spin differential lock
- Warning horn
- Single lever control for travel and vibration
- Scrapers
- Emergency STOP
- Back-up warning system
- Operator seat

### Optional Equipment

- ROPS/FOPS cabin with seat belts
- Working lights front / rear
- ROPS/FOPS with safety belt
- Comfort driver's seat
- Rotary beacon
- Padfoot segment kit (D)
- Contact scrapers
- ECONOMIZER
- BOMAG Evib-Meter (BEM)
- TERRAMETER BTM prof
- BCM 05 Documentation system
- Special painting
- Air condition
- Ballast front (700kg)
- Sun roof
- Warning, information and operation displays
- Radio (Bluetooth)
- Increased amplitude (2,2mm; 1,1mm)

