

# PERFORMANCE DATA

PAVER (TIER 3)

BF 300 P



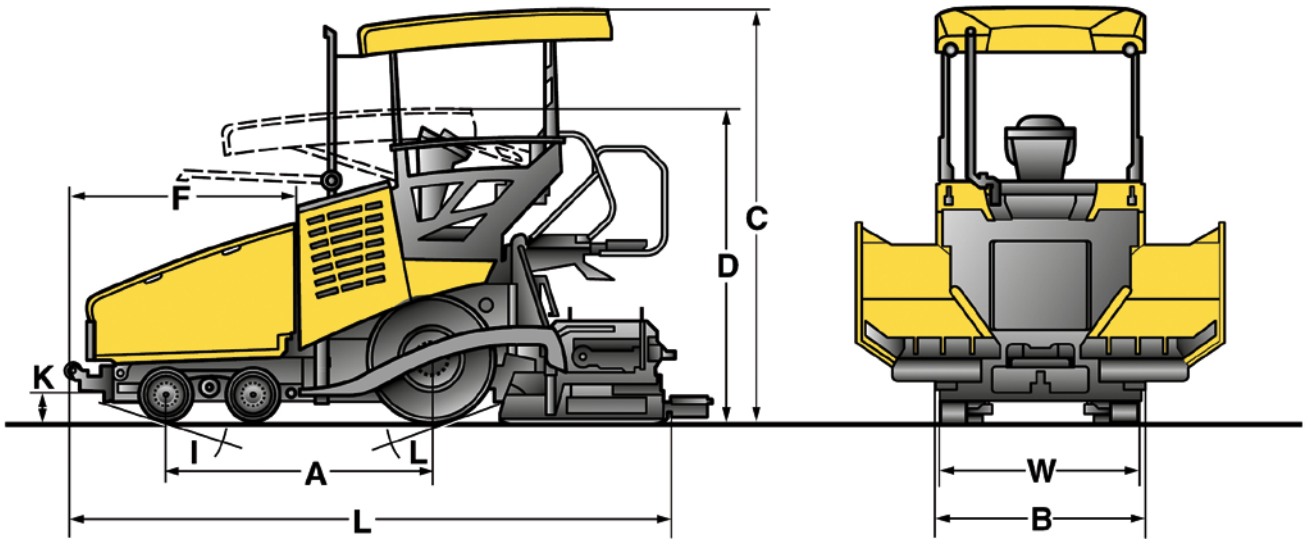
Greatest durability



Shorter set-up times



Exemplary efficiency



**Dimensions in mm**

	A	B	H	H <sub>2</sub>	K	L	W
BF 300 P	2230	1740	3350	2600	170	4950	1700

**Shipping dimensions in m<sup>3</sup>**

BF 300 P, S 340-2 EV	22,394
BF 300 P, S 340-2 ETV	22,394



Optional weather protection – for maximum convenience.



Impact-free docking – dampened bumper.



Save up to 17 % fuel – demand-driven hydraulics – with BOMAG ECOMODE.



Heats up nearly 60 % quicker – unique MAGMALIFE heating system.

## Technical Data

### Weights

Operating weight CECE ..... kg

### Dimensions

Transport length ..... mm

Transport width ..... mm

Transport height ..... mm

Inner track radius ..... mm

Outer track radius ..... mm

### Travel characteristics

Travel speed (1) ..... km/h

Travel speed (2) ..... km/h

Working speed (1) ..... m/min

Working speed (2) ..... m/min

### Drive

Engine manufacturer .....

Type .....

Emission stage .....

Cooling .....

Number of cylinders .....

Rated power ISO 3046..... kW

Rated speed ..... min<sup>-1</sup>

### Crawler assembly

Rear tyres .....

-Number .....

-Type.....

Front tyres .....

-Number .....

-Diameter..... mm

-Width..... mm

### Hoppe

Capacity ..... m<sup>3</sup>

Width (wings open)..... mm

Width (wings closed)..... mm

Length ..... mm

Filling height (middle) ..... mm

### Scraper belt / auger

Quantity .....

Width ..... mm

Rated speed ..... m/min

Individual control .....

Reversing operation .....

### Conveyor auger

->Number .....

->Auger diameter ..... mm

->Rotary speed ..... 1/min

->Reversing operation.....

### Screed

Screed type .....

Basic width retracted ..... mm

Basic width extended..... mm

Max. working width ..... mm

Min. width with reducing skids ..... mm

Mat. height ..... mm

Smoothing plate depth..... mm

Smoothing plate thickness..... mm

Heating .....

Crown ..... %

Tamper frequency..... Hz

Vibration frequency ..... Hz

Basic weight..... kg

### Filling capacities

Fuel..... l

Hydraulic oil..... l

### Operating/control elements

Number of driver's seats

Side View

LCS System

## BOMAG BF 300 P, S 340-2 EV

7780

4950

1740

2600

2385

4750

0-6,3

0-15

0-41

0-129

Kubota

V3307 T

Stage III a / TIER 3

Water

4

55,4

2200

2

13R22.5

4

470

280

4,8

3075

1740

1660

540

2

220

30

Standard

Standard

2

280

100

Standard

S 340-2 EV

1700

3400

4400

750

250

330

12

Electric

-3 ... +4,5

20-50

1500

100

80

1

Standard

Standard

## BOMAG BF 300 P, S 340-2 ETV

8000

4950

1740

2600

2385

4750

0-6,3

0-15

0-41

0-129

Kubota

V3307 T

Stage III a / TIER 3

Water

4

55,4

2200

2

13R22.5

4

470

280

4,8

3075

1740

1660

540

2

220

30

Standard

Standard

2

280

100

Standard

S 340-2 ETV

1700

3400

4400

750

250

330

12

Electric

-3 ... +4,5

0-30

20-50

1720

100

80

1

Standard

Standard

### Standard equipment

- ECOMODE
- Lateral sea and platform adjustment, Side View System (pat.)
- GRP-roof, hydr. tiltable, 4-fold roof lighting
- L.C.S. Screed relief system
- Enhanced traction on soft ground
- Rear wheels 2 x 13R 22.5
- Individually controlled hopper wings
- Reversible and individually controlled scraper belts
- Reversible and individually controlled augers
- Continuous tamper and vibration adjustment
- Fully automatic screed heating
- Cast heating elements
- BOMAG central electrics, service and fault code display
- Remote control of material flow sensors from the lateral screed control panels
- Mechanical crown adjustment
- Electro-mechanical sensors for scraper belts
- Ultrasound sensors for augers
- Central lubrication for screed and auger

### Optional equipment

- All-wheel drive
- Screed extension 30 cm, 50 cm (3.4 m to 5.0 m)
- Cleaning kit
- Hydr. auger lifting
- Ultrasound sensors for scraper belts
- Hydr. crown adjustment
- Optional paint finish
- Ultrasound or electro-mechanical levelling systems
- Cross-slope levelling system
- Electric side plate heating for screed S340E
- Automatic central lubrication system for screed and auger
- Spring-mounted pushing roller yoke

